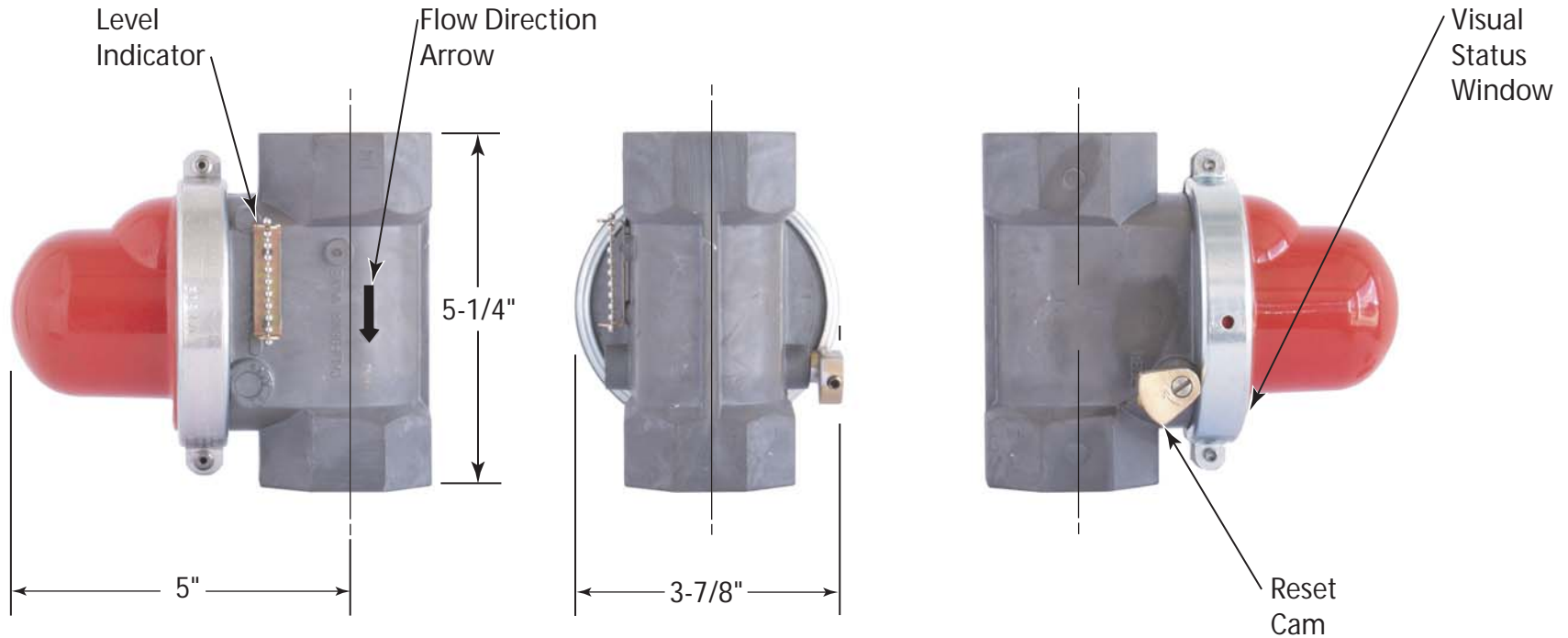


# Specifications: Model VT-302(7) NPT Valve

## Vertical - Top In Flow



Valve Model#	CA-DSA No.	Length	Height	Width	Nominal Pipe Size	Threads Per Inch	APPLICATION	
							Max. Pressure	DATA Fuel
VT-302(7)	60-03	5"	5-1/4"	3-7/8"	1-1/4"	11-1/2	7.0 psi	Dry Fuel Gas

California Seismic Valves are UL listed in the USA and Canada, Certified by the California State Architect's Office, Approved by the City of Los Angeles, and are warranted free of manufacturer's defects for 30 years. All valves meet California Standards for Earthquake Actuated Automatic Gas Shut off Systems, Standard No. 12-23-1, ANSI Z21.70, 1981 and ASCE 25-97 Standards.

**Pacific Seismic Products**

233 East Avenue H-8 • Lancaster, CA 93535 • USA

Tel (661) 942-4499  
 Fax (661) 942-0999  
 TF (800) 4-GAS-OFF  
[www.4GasOff.net](http://www.4GasOff.net)

# 1-1/4" Model VT-302 California Seismic Valve

## Threaded Vertical - Downward Flow

### FLOW CAPACITY TABLE IWC/PSIG - Capacity S.C.F.H.

Merit Rating: Cv 64 (Equivalent Length of Pipe is 4 Feet)

For determining approximate values at selected natural gas pressures to 60 PSIG

Pressure Drop		8" iwc Inlet	14" iwc Inlet	3 psi Inlet	5 psi Inlet	7 psi Inlet	10 psi Inlet	20 psi Inlet	60 psi Inlet
PSI	IWC								
.0036	0.1	1,103	1,111	1,198	1,264	1,327	1,416	1,678	2,462
.0072	0.2	1,560	1,571	1,695	1,788	1,876	2,002	2,373	3,482
.0108	0.3	1,911	1,924	2,075	2,189	2,298	2,452	2,906	4,265
.0144	0.4	2,187	2,204	2,396	2,528	2,653	2,831	3,356	4,924
.0180	0.5	2,466	2,484	2,679	2,826	2,966	3,165	3,752	5,505
.0216	0.6	2,701	2,721	2,934	3,096	3,249	3,467	4,109	6,031
.0252	0.7	2,917	2,938	3,169	3,343	3,509	3,744	4,439	6,514
.0288	0.8	3,118	3,141	3,387	3,574	3,751	4,002	4,745	6,963
.0324	0.9	3,307	3,331	3,592	3,790	3,978	4,245	5,032	7,386
.0360	1.0	3,486	3,511	3,786	3,995	4,193	4,474	5,304	7,785
.0720	2.0	4,924	4,959	5,349	5,644	5,925	6,323	7,497	11,007
.1080	3.0	6,023	6,066	6,544	6,907	7,251	7,738	9,178	13,477
.1440	4.0	6,946	6,996	7,549	7,968	8,365	8,929	10,592	15,558
.1800	5.0	7,757	7,813	8,432	8,900	9,345	9,975	11,836	17,391

### Vertical Valves



		Sizes Available														Ambient Temperature	
		NPT								Flanged							
		3/4"	1"	1 1/4"	1 1/2"	2"	2 1/2"	3"	4"	2"	2 1/2"	3"	4"	6"	8"		
Maximum Pressures of Available Sizes	7 psi	✓	✓	✓	✓											UL -40° to 150° F CA DSA: -10° to 150°F	
	60 psi	✓	✓	✓	✓	✓	✓	✓	✓	✓	✓	✓	✓	✓	Fluid		
																Natural gas LP gas	