

# Residential Gas Meters



**Equimeter**  
INCORPORATED  
An Invensys Company

Taking the Measure of Tomorrow

# About Equimeter

## Index

About Equimeter	
Ordering Information .....	2
Single Joint Residential Meters .....	3
Design Features .....	4/5
Module Replacement Program .....	6
Tin Meter Replacements .....	7
Temperature Compensation/ Test Meters .....	8
Residential Meter Indexes .....	9
Rockseal "Tamper Obvious" Devices .....	10
Special Service – LPG Metering, Industrial Gas Measurement .....	11
Special Service – Metric Meters, Meter Connections .....	12
Swivels .....	13
Dimensions/ Specifications .....	14

## Ordering Information

When submitting orders or inquiries, please specify the following:

1. Size and type of meter (model number, standard or temperature compensated, etc.)
2. Kind of gas to be metered
3. Rate of flow to be metered – maximum SCFH
4. Maximum operating and test pressure
5. Ferrule size
6. Swivel specifications
7. Type of index
8. Special requirements (sealing, paint, accuracy spec., etc.)

Quality is a philosophy – an attitude at Equimeter Incorporated. We take pride in our craftsmanship; and through a team effort we construct top quality products for you.

Active Engineering and Research and Development Groups utilize state-of-the-art computer aided engineering and diagnostic equipment to design and produce gas metering products to meet the uncompromising demands of today's gas industry. This special balance of philosophy, attitude, dedicated workers and modern equipment assures you that quality

and performance have been skillfully designed into every product.

In our advanced proving room, every Equimeter gas metering product is inspected and proved to be accurate beyond any question. Equimeter products undergo more than an end-of-the-line inspection. Equimeter products are built with our reputation at stake; a reputation founded on years of experience, earned by the pride and skills of hundreds of dedicated professionals and backed by sophisticated Quality Assurance instrumentation used at critical points throughout the manufacturing process.



***This is the residential gas meter proving room. In this room meters are individually calibrated to insure accuracy is within the tolerance demanded by you.***

---

# Single Joint Residential Gas Meters



---

## R-275 275 SCFH

These Class 250 residential meters are an improved revision of the R-200 family. The latest design concepts and modern engineering materials have been combined to provide a lighter weight, easier to handle, more durable meter which requires less maintenance and offers greater life expectancy.



---

## R-315 315 SCFH

These Class 250 residential meters are also an improved revision of the R-200 family. The latest design concepts and modern engineering materials have been combined to provide a lighter weight, easier to handle, more durable meter which requires less maintenance and offers greater life expectancy.



---

## #415 415 SCFH

The Equimeter #415 continues to be the real workhorse in the Class 400 residential meter series. Its durable construction permits operation up to 2" W.C. differential to provide 900 CFH of 0.6 Sp. Gr. gas.

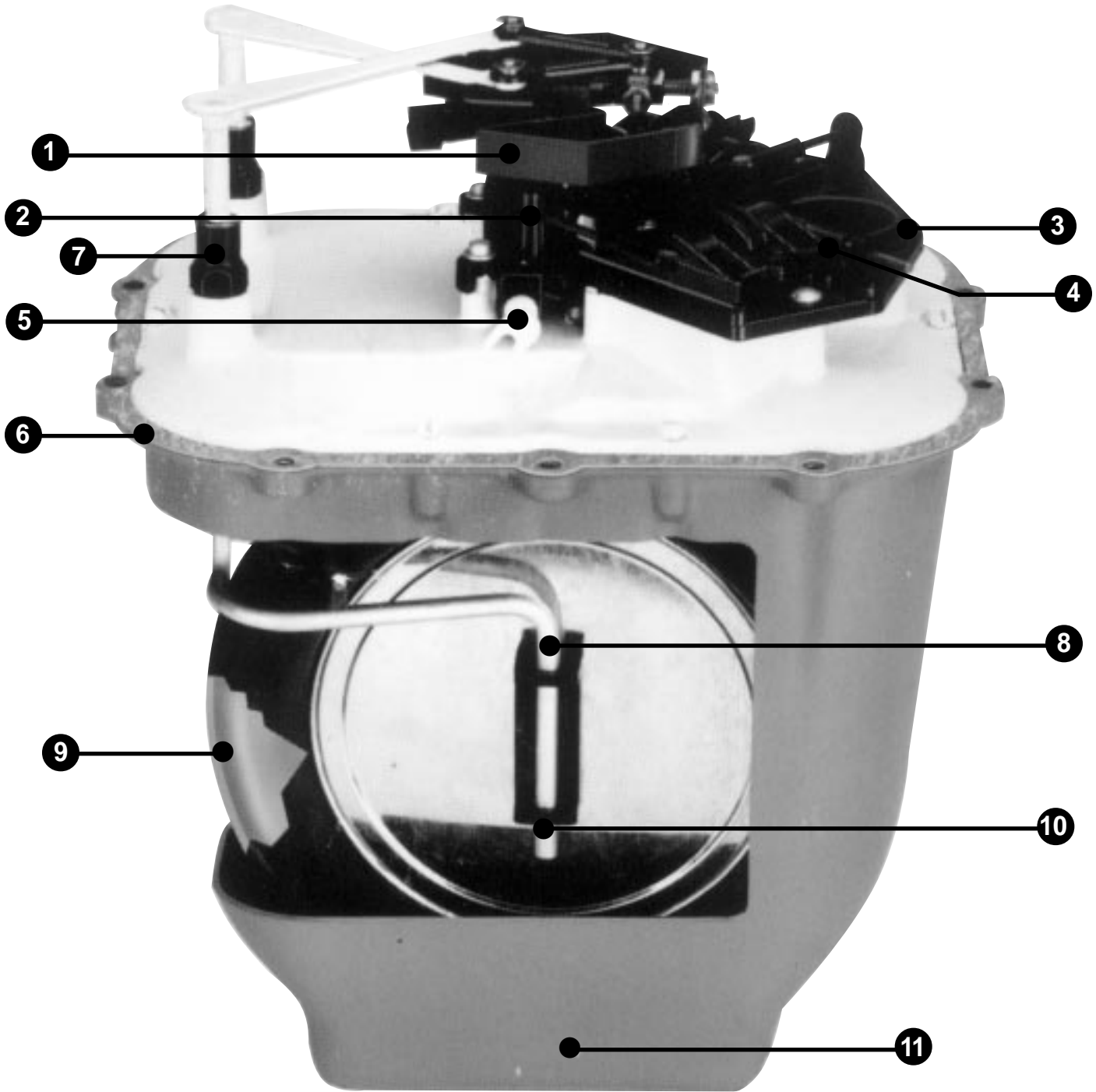


Note: All capacities are maximum, based on 0.6 Sp. Gr. gas measured at 4 oz. base pressure and 60°F at 1/2" W.C. differential pressure – in accordance with B109.1 specifications. Recommended meter operating temperature range: -30°F to +150°F. See temperature compensation description page 8.

---

# Features

---



**1 Temperature Compensation Element** – the improved design has increased strength to minimize deflection from valve drag. It is more rugged and linear in movement, thus, more accurate in compensation.



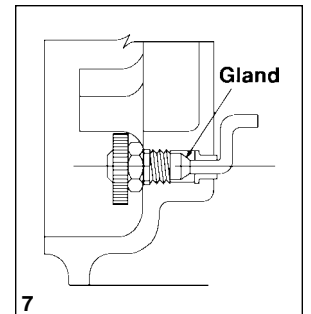
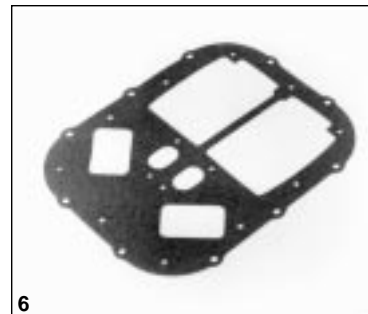
**2 Crank Bracket** – a simplified multi-purpose design incorporating internal valve guides and index shaft support. Fine tolerance, attained through precision molding, provides accurate positioning of the crank support. Low friction polymer eliminates need for lubrication.

**3 Valve Seat** – close tolerances achieved through molded phenolic construction minimize seat wear while providing a much smoother operation with a significantly lower differential. Incorporates easily installed external valve guides.



**4 Valve Cover and Links** – precision parts of engineered plastic materials reduce friction and are inert to chemicals and condensates commonly found in gas lines. Simple snap-on design with common left and right link reduces your parts inventory. This design reduces the job of valve replacement.

**5 Index Drive Shaft** – molded “dog” locks to brass index shaft eliminating “slop” often encountered in proving.



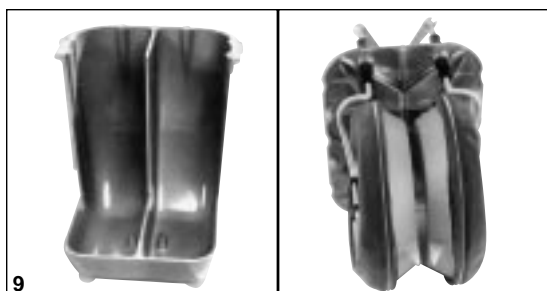
**6 Gaskets** are made of tough, resilient cork and neoprene composition and the linear amount of gasket is an absolute minimum due to “single-joint” design. This significantly reduces the chance of leakage.

**7 Synthetic Rubber Glands** in the cover stuffing box and in the valve plate to seal the flat rods assure positive pressure sealing at these critical points. The gland design produces pressure integrity with a minimum amount of drag.

**8 One Piece Flag Rod** – closely controlled dimensions improve parallelism of all vertical segments. Greater distance between bearing points has been designed to provide lateral stability. Easy to position and install.



**9 Molded Port & Pan with integral diaphragm stabilizers** – one piece construction of glass fiber reinforced material, increases strength and eliminates a potential leak point. Integral stabilizers provide positive positioning of the diaphragm assembly.



**10 E-Clips** – plated steel clips install easily, facilitate repairs, and minimize parts inventory.

**11 Bodies and Covers** are of die-cast aluminum alloy to provide corrosion protection with minimum weight. Meters receive both prime and finish coats of paint to provide additional protection and enhance exterior appearances.

---

# Module Replacement Program

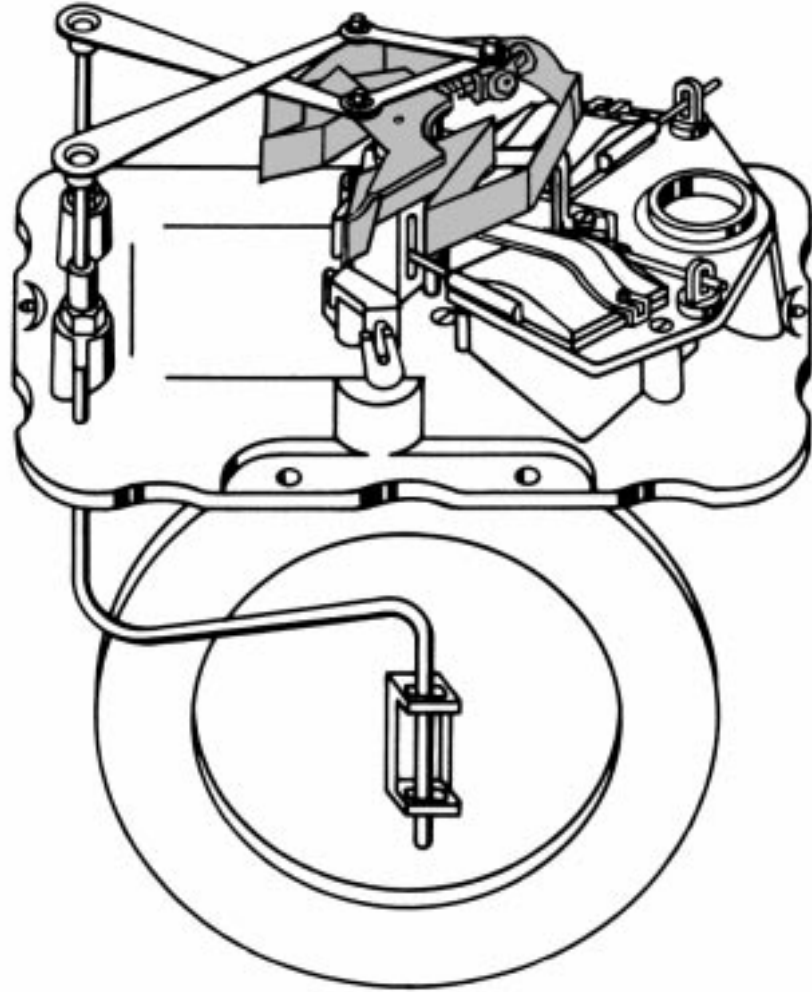
---

Because of the “single joint” design of the Equimeter residential meter, easy replacement of all internal working parts is possible. A new measuring module can be installed simply by removing and replacing several screws.

Listed below are the modules available for our current line of residential meters. They are available in standard or temperature compensated construction and can be inserted into existing bodies and covers and calibrated in your shop.

This program is important in your long range planning. It means that the Equimeter meters you purchase today can be updated to new condition years from now at two-thirds or less of the cost of new meters.

Consider updating your meter population at a fraction of the cost of new meters. *For your immediate planning, many of the modules listed below fit into older Equimeter meters – those currently in your system that need attention now.*



## Module Part Numbers

Meter Model	Meter Model	Temp. Compensated
S-275, R-275, R-315	001-63-502-06	001-63-502-07
MR-5, MR-8, MR-9	001-63-502-19	001-63-502-20
#415	001-41-502-70	001-41-502-71
MR-12	001-41-502-72	001-41-502-73

# Tin Meter Replacements



Many utility companies are replacing their tin meter population because of the high cost of skilled labor re-

quired to repair tin meters. Equimeter offers a complete line of residential meter replacements for the 5 Lt. and

10 Lt. tin meters, without any need for special connections or modifications to the meter set.

## RT-230 210 SCFH

The RT-230 has 5 Lt. connections on 11<sup>1</sup>/<sub>4</sub>" centers and makes use of the internal working parts of the R-275 residential meter.



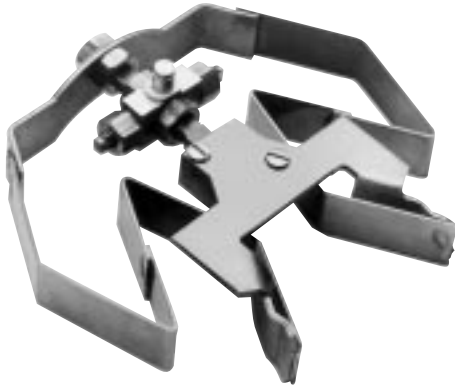
## RT-275 250 SCFH

The same R-275 is converted to an RT-275 by fitting it with 10 Lt. connections of 11<sup>1</sup>/<sub>4</sub>" centers.



**Note:** All capacities are maximum, based on 0.6 Sp. Gr. gas measured at 4 oz. base pressure and 60°F at 1/2" W.C. differential pressure in accordance with B109.1 specifications. Recommended meter operating temperature range is -30°F to +150°F. See temperature compensation description page 8.

# Temperature Compensation



All Equimeter residential gas meters can be equipped with a bi-metallic element that will automati-

cally correct for changes in gas temperature and convert line volumes to the common base temperature of 60°F.

The fundamental difference in a temperature-compensated meter is the tangent. It features twin bi-metallic elements as the active or compensating members. The tangent is mounted in such a way that temperature variations, causing expansion or contraction of the bi-metallic element, alter the volume of gas displaced per revolution of the meter. This automatically causes the meter to speed up or slow down as required and does not affect valve timing.

Today, Equimeter's TC element is better than ever. It assures stable meter operation and accurate correction for gas temperature variations.

A temperature compensated meter can be outwardly identified by a difference in the manufacturer's badge color along with a "TC" notation on both the badge and the meter index. Standard meters have blue badges. TC meters have red manufacturer's badges.

The typical temperature compensation performance is within an accuracy band of  $\pm 2\%$  over a flowing gas temperature range of -20°F to 120°F.

## Test Meters

Equimeter Test Meters are applicable where minute quantities of gas must be measured with a high degree of accuracy. They are used in factories, showrooms, laboratories, and various testing departments. Some utilities use them to demonstrate to customers the amount of gas consumed by ranges, furnaces, clothes dryers, and other gas appliances.

*One of the more popular uses of the smaller test meter has been in the area of pollution control.* The Environmental Protection Agency has set standards of performance for limiting gaseous and particulate emissions from factories. Federal, state and

local pollution control authorities have discovered a need for dependable precision instruments to sample and evaluate pollutants. Equimeter Test Meters are being used extensively in stack sampling and pollution monitoring devices.

### Operation

All Equimeter Test Meters are equipped with a special test index. This test index has a sweep hand which can be compared to the sweep hand on a stopwatch. Minute amounts of flow are precisely measured on the finely graduated sweep hand circle. Timing of the sweep hand accurately determines small flow rates.

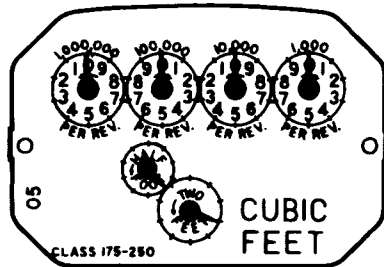


## Test Meter Models Available

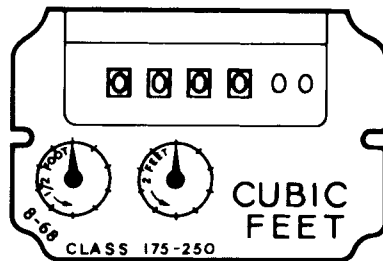
Model	Capacity-SCFH of 0.6 Sp. Gr. gas @ 1/2' w.c. diff.
S-275	250
R-275	275
R-315	315
#415	415

Note: Capacity ratings based on connections as per ANSI B-109.1.

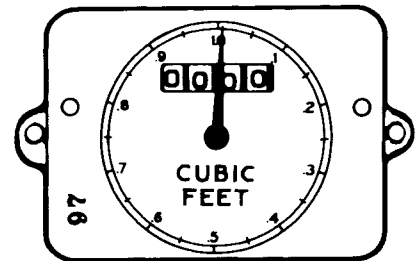
# Residential Gas Meter Indexes



Standard Circular Reading Plastic



Standard Direct Reading Plastic



Test Meter Index

## Index Assemblies

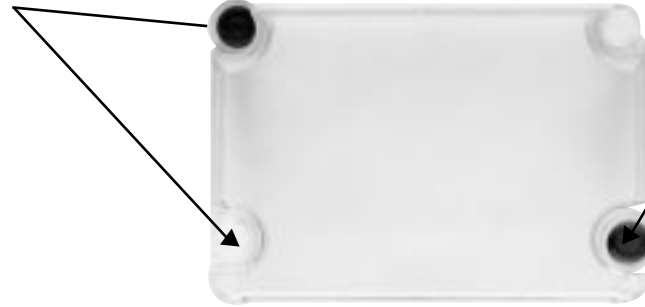
Type	S-275, R-275, R-315			#415			Dial
	Index Assembly with Drive Gear Part Number	Number of Teeth		Index Assembly with Drive Gear Part Number	Number of Teeth		
		Index Drive Gear	Stuffing Box Gear		Index Drive Gear	Stuffing Box Gear	
Plastic Circular Reading	001-63-538-05	11	11	001-41-538-05	18	18	4 Circle
	001-63-538-10	11	11	001-41-538-10	18	18	4 Circle
	001-63-538-11	11	11	001-41-538-11	18	18	4 Circle
	001-63-538-15	11	11	001-41-538-15	18	18	4 Circle
				001-41-538-25	18	18	4 Circle
Plastic Direct Reading	001-63-538-62	11	11	001-41-538-62	18	18	5 Wheel
	001-63-538-63	11	11	001-41-538-63	18	18	5 Wheel
	001-63-538-68	11	11	001-41-538-68	18	18	4 Wheel
	001-63-538-69	11	11	001-41-538-69	18	18	4 Wheel
	001-63-538-66	12	24	001-41-538-66	12	24	4 Wheel
	001-63-538-70	11	11	001-41-538-70	18	18	4 Wheel
	001-63-538-64	16	16	001-41-538-64	16	16	6 Wheel
Test Indexes	001-63-537-83	16	20	001-41-537-83	13	20	4 Wheel
	001-63-583-93	12	30	001-41-538-93	22	10	4 Wheel
	001-63-537-97	12	24	001-63-537-97	12	24	4 Wheel

# Rockseal "Tamper Obvious" Devices

## Devices-Rockseal Index Box

Rockseal index box screws,  
Fil. Hd. Stl. Mach. Screw  
(10-24 x 11/16")  
Part Number 950525

The UV Stabilized Clear Polycarbonate Rockseal index box has molded recesses at the upper left and lower right corners into which molded plastic plugs are inserted to cover index box mounting screw heads.

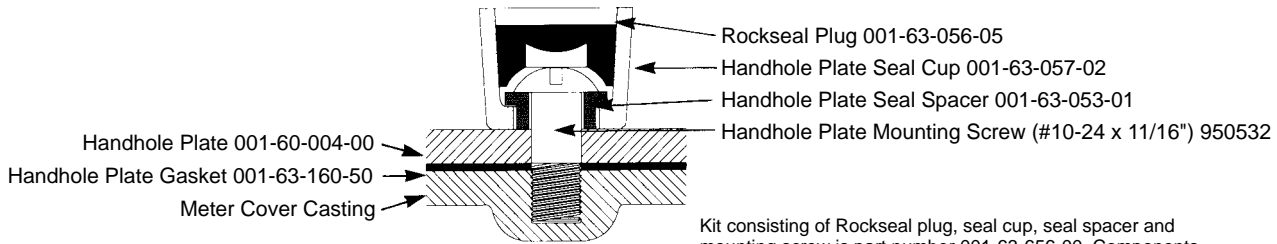


**Front View**  
Part Number 001-63-006-05 With Drains  
001-63-006-06 Without Drains  
Equimeter Clear Polycarbonate Index Box

Rockseal plug 001-63-056-05  
packaged either 100 or 1000  
pieces per package.

- Kit consisting of:
- 1 index box
  - 2 Rockseal plugs
  - 4 screws
  - 001-63-656-50 with drains
  - 001-63-656-51 without drains

## Rockseal Handhole Plate Device-Cross Section



- Rockseal Plug 001-63-056-05
- Handhole Plate Seal Cup 001-63-057-02
- Handhole Plate Seal Spacer 001-63-053-01
- Handhole Plate Mounting Screw (#10-24 x 11/16") 950532

Kit consisting of Rockseal plug, seal cup, seal spacer and mounting screw is part number 001-63-656-00. Components packaged individually in lots of 100 pieces per package.

## Index Assemblies

	S-275, R-275, R-315	#415				
Type	Index Assembly with Drive Gear Part Number	Index Assembly with Drive Gear Part Number	Legend	First Reading Circle	Proving Hand	Description
Plastic Circular Reading	001-63-538-05	001-41-538-05	Cu. Ft.	1000	2' 1/2'	Standard-C.C.W.
	001-63-583-10	001-41-538-10	Cu. Ft.	1000	2'	Standard-C.C.W.
	001-63-538-11	001-41-538-11	Cu. Ft.	1000	2'	Temp. Comp.-C.C.W.
	001-63-538-15	001-41-538-15	Cu. Ft.	1000	2' 1/2'	Temp. Comp.-C.C.W.
			Cu. Ft.	1000	2' 1/2'	415 on Dial
Plastic Direct Reading	001-63-538-62	001-41-538-62	Cu. Ft.	10	2' 1/2'	Standard
	001-63-538-63	001-41-538-63	Cu. Ft.	10	2' 1/2'	Temp. Comp.
	001-63-538-68	001-41-538-68	Cu. Ft.	100	2' 1/2'	Standard
	001-63-538-69	001-41-538-69	Cu. Ft.	100	2' 1/2'	Temp. Comp.
	001-63-538-66	001-41-538-66	Cu. Ft.	100	1'	Standard
	001-63-538-70	001-41-538-70	Cu. Ft.	100	2'	Standard
	001-63-538-64	001-41-538-64	Cu. Meters	0.1M <sup>3</sup>	0.05M <sup>3</sup>	Fully Metric
Test Indexes	001-63-537-83	001-41-537-83	Cu. Ft.	1/10	1/10'	Test Index
	001-63-538-93	001-41-583-93	Cu. Meters	.01M <sup>3</sup>	.01M <sup>3</sup>	Fully Metric Meter Test
	001-63-537-97	001-41-537-97	Cu. Ft.	1	1'	Test Index

## Liquified Petroleum Gas Metering (LPG)

The Equimeter S-275 was designed especially for the LPG industry. The S-275 has been tested and proven for all services, and can particularly measure LP gases from bottle sets, bulk storage and distribution systems to the house.

Manufactured under the same exacting Quality Control requirements as Equimeter's residential gas meters, the S-275 contains the same

joint design and utilizes the same corrosion resistant materials that exhibit high lubricity for low differential operation. The major difference is the connections. The S-275 is available with 3/4" FPT connections. The "S" denotes side-connection.

(All Equimeter residential meters described in this brochure can be used to measure liquified petroleum gases).



## Industrial Gas Measurement

Industry today is placing a tremendous amount of emphasis on fuel conservation and fuel allocation within its facilities. Plant accountants are making efforts to keep increasingly accurate records of fuel gas consumption as well as consumption

of various special process gases within their facilities. Equimeter's complete line of single joint diaphragm meters provides industry with the specialized metering equipment they need to do the job and to do it accurately. Listed below are some of

the special type service gases used by industry that Equimeter meters are capable of handling. See your local Equimeter representative or distributor for further information regarding in-plant metering and special gas services.

Gas			
Air		Krypton	Kr <sub>2</sub>
Argon	A <sub>2</sub>	Methane	CH <sub>4</sub>
Butane	C <sub>4</sub> H <sub>10</sub>	Nitrogen	N <sub>2</sub>
* Carbon Dioxide	CO <sub>2</sub>	Neon	Ne
* Carbon Monoxide	CO	Pentane	C <sub>5</sub> H <sub>12</sub>
Ethane	C <sub>2</sub> H <sub>6</sub>	Propane	C <sub>3</sub> H <sub>8</sub>
† Helium	He <sub>2</sub>	Xenon	Xe <sub>2</sub>
† Hydrogen	H <sub>2</sub>		

\* Gas must be 100% dry.

† Because of the low density of these gases, meters for this service may not be used in excess of 50% of their pressure rating.

# Special Service

## Metric Meters

For bell provers calibrated with metric scales, meters must be equipped with a metric output (50 liters). It is also necessary that the meters have some number of full revolutions of the tangent assembly for that given metric output. Listed are current meter modules along with their metric counter parts with metric outputs.

Also, to assist you is a table of metric conversion factors. For further information about Equimeter metric meters, consult your local Equimeter representative.



Cubic Foot Models	Metric Models	Capacity M <sup>3</sup> /hr.
S-275	MR-5	7
R-275	MR-8	8
R-315	MR-9	9
#415	MR-12	12

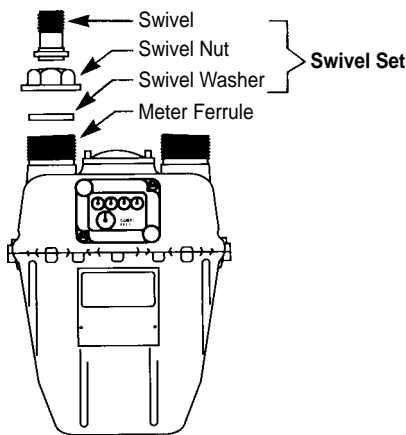
Std. Meters <sup>3</sup> /Hr. x 35.31 = Std. Ft. <sup>3</sup> /Hr. (SCFH) Std. Ft. <sup>3</sup> /Hr. (SCFH) x 0.0283 = Std. Meters <sup>3</sup> /Hr.	Kilo Pascals (KPa) x 0.145 = psi psi x 6.90 = Kilo Pascals (KPa)	millimeters water (mm H <sub>2</sub> O) x 0.039 = in. w.c. in. w.c. x 25.4 = millimeters water (mm H <sub>2</sub> O)
Kilograms/centimeter <sup>2</sup> (Kg/cm <sup>2</sup> ) x 14.22 = psi psi x 0.0703 = Kilograms/centimeter <sup>2</sup> (Kg/cm <sup>2</sup> )	Bars x 14.50 = psi psi x .0689 = Bars	millimeters mercury (mm Hg) x 1.868 = in w.c. in. w.c. x 0.535 = millimeters mercury (mm Hg)

## Meter Connections

Equimeter offers a complete line of meter connections to meet your installation needs. Listed below are some of the more common swivel nut

and swivel washer sizes available. Common swivels in standard and insulated varieties can be found on page 14. Black iron or galvanized

connections are available. For sizes other than those listed, contact your local Equimeter representative.



Ferrule Size	Swivel Washers Part Number	Swivel Nuts	
		Galvanized Part Number	Black Iron Part Number
1-1/4"	001-61-153-02	001-61-165-07	001-41-165-07
10 Lt.	003-51-131-04	003-51-130-00	003-51-230-00
20 Lt.	001-61-154-02	001-61-166-00	001-41-166-00
30 Lt.	001-61-155-03	001-61-167-07	001-41-167-07
45 Lt.	001-62-156-02	001-62-168-00	001-41-168-00
1A Spg.	001-61-153-02	001-61-165-16	001-41-165-16
2 Spg.	001-62-156-03	001-41-130-00	001-41-230-00
3 Spg.	011-14-131-01	001-64-167-02	001-64-168-02

# Swivels

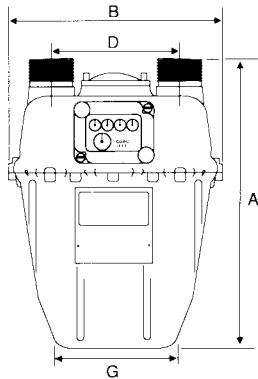


An Invensys Company

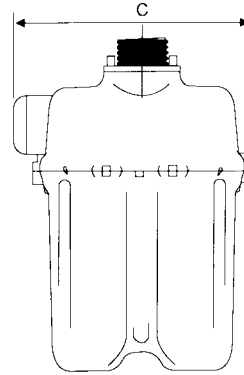
Meter Ferrule Size	Straight or Offset	Galvanized Part Number	Black Iron Part Number	Pipe Size	Amount Of Offset	Height	Insulating *Yes/No	Galvanized Swivel Set Part Number	Black Iron Swivel Set Part Number
1 1/4"	S	001-61-165-08	001-41-165-08	1"	2 3/4"	2 7/32"	No	001-61-365-08	001-41-365-08
	O	001-61-165-27	001-41-165-26	1/2"		3 5/16"	No	001-61-365-27	001-41-365-26
	S	001-61-165-58		1"		2 7/32"	Yes	001-61-365-58	
	O	001-61-165-26		3/4"	1"	2 11/16"	No	001-61-365-26	
	S	001-61-165-02		3/4"	2 3/8"	No	001-61-365-02		
	S	001-61-165-52		3/4"	2 3/8"	Yes	001-61-365-52		
	O	001-61-165-55		3/4"	2 11/16"	2 15/16"	Yes	001-61-365-55	
	O	001-61-165-05	3/4"	2 11/16"	2 15/16"	No	001-61-365-05		
	O	001-61-165-76	3/4"	1"	2 11/16"	Yes	001-61-365-76		
10 Lt.	S	003-51-134-00	003-51-236-50	3/4"	1"	2 5/16"	No	003-51-334-00	
	S	003-51-134-50		3/4"		2 5/16"	Yes	003-51-334-50	
	O			3/4"		3 1/4"	Yes		
20 Lt.	S	001-61-165-11	001-41-165-11	1"	1 5/8"	2 3/4"	No	001-61-365-11	001-41-365-11
	O	001-61-166-03	001-41-165-61	1"		3 1/2"	No	001-61-366-03	001-41-366-61
	S	001-61-166-15		3/4"		2 3/8"	No	001-61-366-15	
	O	001-62-168-11		3/4"	3 3/16"	No	001-62-368-11		
	S	001-61-166-02		1"	3 3/4"	No	001-61-366-02		
	O	001-61-166-13		1/2"	2 11/16"	3 7/16"	No	001-61-366-13	
	S	001-61-165-61		1"	2 3/4"	Yes	001-61-365-61		
	S	001-61-166-65	3/4"	2 3/8"	Yes	001-61-366-65			
	S	001-61-165-61	001-41-165-61	1"	2 3/4"	Yes	001-61-565-61	001-41-565-61	
	S	001-61-166-52	1"	3 3/4"	Yes	001-61-366-52			
	S	001-61-166-15	3/4"	2 3/8"	No	001-61-566-15			
	O	001-61-166-63	1/2"	2 11/16"	3 7/16"	Yes	001-61-366-63		
	S	001-61-165-61	1"	2 3/4"	Yes	001-61-665-61			
30 Lt.	S	001-61-167-02	001-41-167-02	1 1/4"		2 7/8"	No	001-61-367-02	
	S	001-61-167-52	001-41-167-52	1 1/4"		2 7/8"	Yes	001-61-367-52	001-42-367-52
	S	001-61-165-62	001-41-165-62	1"		2 27/32"	Yes	001-61-365-62	001-41-365-62
	S	001-61-165-12	001-41-165-12	1"		2 27/32"	No	001-61-365-12	001-41-365-12
	S	001-61-165-62	001-41-165-62	1"		2 27/32"	Yes	001-61-565-62	001-41-565-62
	S	001-61-167-52	001-41-167-52	1 1/4"		2 7/8"	Yes	001-61-467-52	001-41-567-52
45 Lt.	S	001-62-168-02	001-41-168-02	1 1/4"	1 5/8"	3 7/8"	No	001-62-368-02	001-41-368-02
	O	001-62-168-03	001-41-168-52	1 1/4"		3 7/8"	No	001-62-368-03	001-41-368-52
	S	001-62-168-52		1 1/4"		3 7/8"	Yes	001-62-368-52	
	O		001-41-168-56	1 1/2"	1 1/8"	4 1/16"	Yes	001-41-368-56	
	S	001-62-168-04	001-41-168-04	1 1/2"	3"	No	001-62-368-04	001-41-368-04	
	S	001-62-168-54	001-41-168-54	1 1/2"	3"	Yes	001-62-368-54	001-41-368-54	
	S	001-62-168-52		1 1/4"	3 7/8"	Yes	001-62-468-52		
S	001-62-168-54		1 1/4"	3"	Yes	001-62-468-54			
#2 Spg.	S	001-62-168-21	001-41-168-21	1 1/4"		3 1/8"	No	001-62-368-21	001-41-368-21
#3 Spg.	S	011-14-134-04		1 1/2"		3 1/16"	No	011-14-334-04	

\* The minimum insulation breakdown voltage for insulating swivels (Assembled Joint) is 2500 volts.

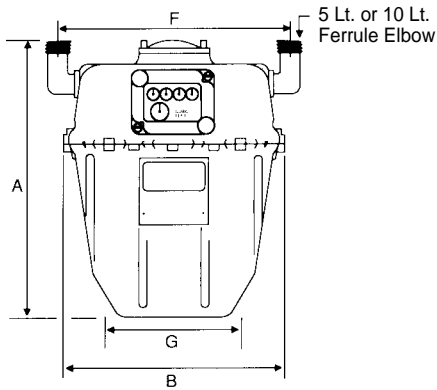
# Dimensions



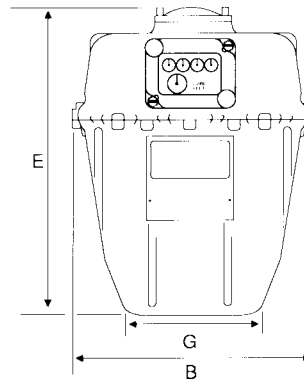
R-275, R-315, #415



Side View – All



RT-Meter



S-275

Meter Model	A	B	C	D	E	F	G
S-275		10 <sup>1</sup> / <sub>8</sub> "	8 <sup>1</sup> / <sub>2</sub> "	—	13 <sup>1</sup> / <sub>4</sub> "	—	5 <sup>1</sup> / <sub>4</sub> "
R-275*	13 <sup>23</sup> / <sub>64</sub> "	10 <sup>1</sup> / <sub>8</sub> "	8 <sup>1</sup> / <sub>2</sub> "	6"	—	—	5 <sup>1</sup> / <sub>4</sub> "
R-315*	13 <sup>23</sup> / <sub>64</sub> "	10 <sup>1</sup> / <sub>8</sub> "	8 <sup>1</sup> / <sub>2</sub> "	7"	—	—	5 <sup>1</sup> / <sub>4</sub> "
#415*	14 <sup>37</sup> / <sub>64</sub> "	11 <sup>1</sup> / <sub>8</sub> "	9 <sup>3</sup> / <sub>8</sub> "	7" or 8 <sup>1</sup> / <sub>4</sub> "	—	—	6"
RT-230	13 <sup>5</sup> / <sub>8</sub> "	10 <sup>1</sup> / <sub>8</sub> "	8 <sup>1</sup> / <sub>2</sub> "	—	—	11 <sup>1</sup> / <sub>4</sub> "	5 <sup>1</sup> / <sub>4</sub> "
RT-275	13 <sup>5</sup> / <sub>8</sub> "	10 <sup>1</sup> / <sub>8</sub> "	8 <sup>1</sup> / <sub>2</sub> "	—	—	11 <sup>1</sup> / <sub>4</sub> "	5 <sup>1</sup> / <sub>4</sub> "

\* "A" dimension assumes 20 Lt. connections. "A" varies slightly for other connections.

# Specifications

Meter Model					Max. W.P. PSI	Approx. Shpg. Wt. Lbs.	No. of Rev. per Ft <sup>3</sup>	Stuff. Box Shaft Ft <sup>3</sup> /Rev.	Meter Connections Available
	Nat.	But.	Prop.	Air					
R-275*	275	150	175	215	5-10	14	8	2	10, 20, 30 Lt., 1 <sup>1</sup> / <sub>4</sub> ", 1A SPG., #2 SPG.
R-315*	315	170	200	245	5-10	14	8	2	20, 30, 45 Lt., 1 <sup>1</sup> / <sub>4</sub> ", 1A SPG., #2 SPG.
#415†	415	225	260	320	10-25	21	6.5	2	20, 30, 45 Lt., 1 <sup>1</sup> / <sub>4</sub> ", 1A SPG., #2 SPG., #3 SPG.
S-275	250	150	175	195	5-10	14	8	2	3/4" NPT
RT-230	210				5	14	8	2	5 Lt.
RT-275	250				5	14	8	2	10 Lt.

\* Capacity ratings based on 20 Lt. connections per ANSI B-109-1.

† Capacity ratings based on 30 Lt. connections per ANSI B-109-1.

◆ NOTES ◆

---

Equimeter Incorporated, 805 Liberty Boulevard, DuBois, PA 15801  
(814) 371-8000  
FAX (814) 375-8460  
www.equimeter.com

Representatives in all principal cities.  
Distributors throughout the world.



Equimeter Incorporated  
805 Liberty Boulevard  
P.O. Box 528  
DuBois, PA 15801

An Invensys Company



---

Authorized Distributor:

**LIMITED WARRANTY** Seller warrants the Goods to be free from defects in materials manufactured by Seller and in Seller's workmanship for a period of [one (1) year] after tender of delivery (the "Warranty Period"). **THIS LIMITED WARRANTY (a) IS IN LIEU OF, AND SELLER DISCLAIMS AND EXCLUDES, ALL OTHER WARRANTIES, STATUTORY, EXPRESS OR IMPLIED, INCLUDING, WITHOUT LIMITATION, ANY WARRANTY OF MERCHANTABILITY OR FITNESS FOR A PARTICULAR PURPOSE, OR OF CONFORMITY TO MODELS OR SAMPLES;** (b) does not apply to any Goods which have been (i) repaired, altered or improperly installed; (ii) subjected to improper use or storage; (iii) used or incorporated with other materials or equipment, after Buyer or anyone using the Goods has, or reasonably should have, knowledge of any defect or nonconformance of the Goods; or (iv) manufactured, fabricated or assembled by anyone other than Seller; (c) shall not be effective unless Buyer notifies Seller in writing of any purported defect or nonconformance within [thirty (30) days] after Buyer discovers or should have reasonably discovered such purported defect or nonconformance; and (d) shall only extend to Buyer and not to any subsequent buyers or users of the Goods. Buyer shall provide Seller access to the Goods as to which Buyer claims a purported defect or nonconformance; upon request by Seller, Buyer shall, at its own risk and expense, promptly return the Goods in question to Seller's Plant.