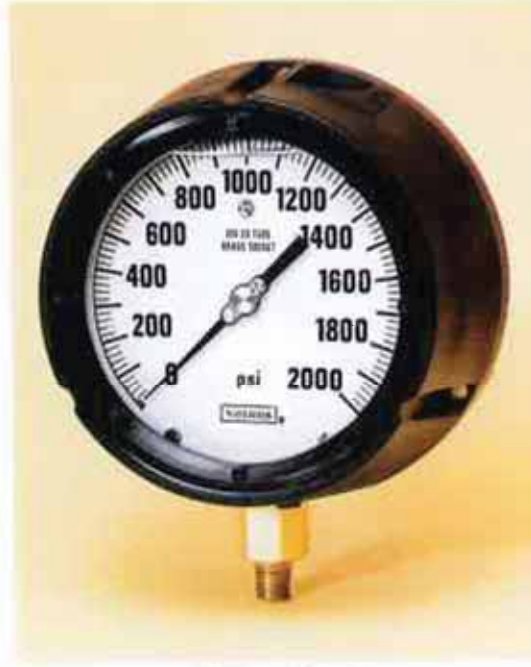


45.640

4 1/2 INCH
PHENOLIC CASE
COPPER ALLOY INTERNALS
DRY
1/4" NPT
BOTTOM CONNECTION



45.660

4 1/2 INCH
PHENOLIC CASE
COPPER ALLOY INTERNALS
GLYCERINE FILLED
1/4" NPT
BOTTOM CONNECTION

SPECIFICATIONS	
Case	Turret Style Black Phenolic. Solid Front, Safety Case with Blow-out Back
Bayonet Ring	Threaded Black Phenolic
Lens	Acrylic, Laminated Safety Glass is Available
Bourdon Tube	Beryllium Copper "C" Tube for Pressures up to 600 PSI 316SS Coiled Safety Tube Above 600 PSI
Connection	1/4" NPT
Safety Protection	Blow-out Back on the Rear of Case.
Movement	Brass and Nickel Silver with Highly Polished Bearing Surfaces. An internal zero stop is standard.
Accuracy	± 1/2% Full Scale ASME Grade 2A
Pointer	Balanced Micro-Adjustable Aluminum, Black Finish
Dial	Aluminum, White Background with Black Markings. Single Scale PSI, is standard PSI/BAR, PSI/kPa or PSI/Kg-cm ² Dual Scale is Available as a Stock Options. On Dual Scale Dials, the Outer Scale is PSI in Black and the Inner Metric Scale is Red. UV Resistant.
Fill Liquid	(Model 45.660) Glycerine and Water. Silicone or Halocarbon are Available as Options.

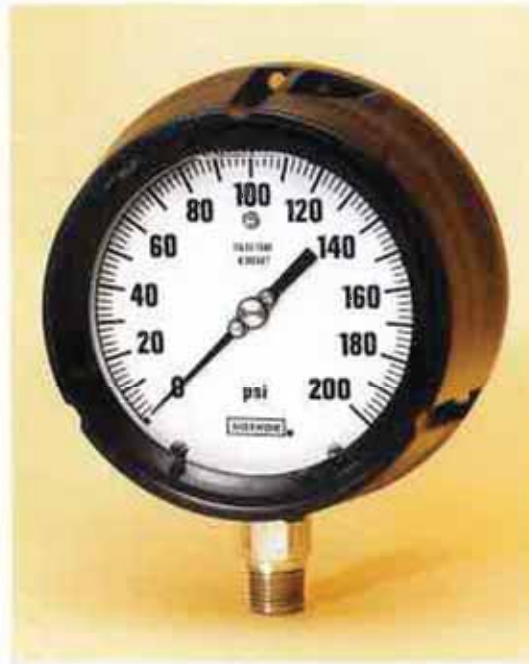
STANDARD DIAL CONFIGURATIONS					
Dial Range	Figure Intervals	Graduation Interval	Dial Range	Figure Intervals	Graduation Interval
-30 inHg to 0 psi	5 inHg	0.5 inHg	0 psi to 200 psi	20 psi	2 psi
-30 inHg to 15 psi	5 inHg-3 psi	0.5 inHg-0.2 psi	0 psi to 300 psi	50 psi	2 psi
-30 inHg to 30 psi	10 inHg-5 psi	1 inHg-0.5 psi	0 psi to 400 psi	40 psi	4 psi
-30 inHg to 60 psi	10 inHg-10 psi	1 inHg-0.4 psi	0 psi to 600 psi	100 psi	4 psi
-30 inHg to 100 psi	30 inHg-10 psi	2 inHg-1 psi	0 psi to 800 psi	100 psi	5 psi
-30 inHg to 160 psi	30 inHg-20 psi	2 inHg-1 psi	0 psi to 1000 psi	100 psi	10 psi
-30 inHg to 200 psi	30 inHg-20 psi	5 inHg-2 psi	0 psi to 1500 psi	300 psi	10 psi
-30 inHg to 300 psi	30 inHg-50 psi	5 inHg-2 psi	0 psi to 2000 psi	200 psi	20 psi
0 psi to 15 psi	3 psi	0.1 psi	0 psi to 3000 psi	500 psi	20 psi
0 psi to 30 psi	5 psi	0.2 psi	0 psi to 5000 psi	1000 psi	50 psi
0 psi to 60 psi	10 psi	0.4 psi	0 psi to 6000 psi	1000 psi	40 psi
0 psi to 100 psi	10 psi	1 psi	0 psi to 10000 psi	1000 psi	100 psi
0 psi to 100 psi	20 psi	1 psi	0 psi to 15000 psi	3000 psi	100 psi

Consult factory for availability of specific models, ranges and options.



45.740

4 1/2 INCH
PHENOLIC CASE
316SS INTERNALS
DRY
1/4" OR 1/2" NPT
BOTTOM CONNECTION



45.760

4 1/2 INCH
PHENOLIC CASE
316SS INTERNALS
DRY
1/4" OR 1/2" NPT
BOTTOM CONNECTION

SPECIFICATIONS	
Case	Turret Style Black Phenolic. Solid Front, Safety Case with Blow-out Back
Bayonet Ring	Threaded Black Phenolic
Lens	Acrylic, Laminated Safety Glass is Available
Bourdon Tube	316 Stainless Steel "C" Tube for Pressures up to 600 PSI 316SS Coiled Safety Tube Above 600 PSI
Connection	1/2" NPT or 1/4" NPT 316SS
Safety Protection	Blow-out Back on the Rear of Case.
Movement	Stainless Steel with Highly Polished Bearing Surfaces. An internal zero stop is standard.
Accuracy	± 1/2% Full Scale ASME Grade 2A 1.5% Full Scale, ASME Grade A for inH ₂ O, 5 PSI and 10 PSI ranges
Pointer	Balanced Micro-Adjustable Aluminum, Black Finish
Dial	Aluminum, White Background with Black Markings. Single Scale PSI, is standard. PSI/BAR, PSI/kPa or PSI/Kg-cm ² Dual Scale is Available as a Stock Options. On Dual Scale Dials, the Outer Scale is PSI in Black and the Inner Metric Scale is Red. UV Resistant.
Fill Liquid	(Model 45.760) Glycerine and Water. Silicone or Halocarbon are Available as Options.

STANDARD DIAL CONFIGURATIONS						
Dial Range	Figure Intervals	Graduation Interval	Dial Range	Figure Intervals	Graduation Interval	
-30 inH ₂ O to 0 psi*	5 inH ₂ O	0.5 inH ₂ O	0 psi to 30 psi	5 psi	0.2 psi	
-80 inH ₂ O to 0 psi*	10 inH ₂ O	1 inH ₂ O	0 psi to 60 psi	10 psi	0.4 psi	
-60 inH ₂ O to 60 inH ₂ O*	10 inH ₂ O	1 inH ₂ O	0 psi to 100 psi	10 psi	1 psi	
-30 inHg to 0 psi	5 inHg	0.5 inHg	0 psi to 180 psi	20 psi	1 psi	
-30 inHg to 15 psi	5 inHg-3 psi	0.5 inHg-0.2 psi	0 psi to 200 psi	20 psi	2 psi	
-30 inHg to 30 psi	10 inHg-5 psi	1 inHg-0.5 psi	0 psi to 300 psi	50 psi	2 psi	
-30 inHg to 60 psi	10 inHg-10 psi	1 inHg-0.4 psi	0 psi to 400 psi	40 psi	4 psi	
-30 inHg to 100 psi	30 inHg-10 psi	2 inHg-1 psi	0 psi to 600 psi	100 psi	4 psi	
-30 inHg to 180 psi	30 inHg-20 psi	2 inHg-1 psi	0 psi to 800 psi	100 psi	5 psi	
-30 inHg to 200 psi	30 inHg-20 psi	5 inHg-2 psi	0 psi to 1000 psi	100 psi	10 psi	
-30 inHg to 300 psi	30 inHg-50 psi	5 inHg-2 psi	0 psi to 1500 psi	300 psi	10 psi	
0 inH ₂ O to 15 inH ₂ O*	3 inH ₂ O	0.2 inH ₂ O	0 psi to 2000 psi	200 psi	20 psi	
0 inH ₂ O to 30 inH ₂ O*	5 inH ₂ O	0.5 inH ₂ O	0 psi to 3000 psi	500 psi	20 psi	
0 inH ₂ O to 60 inH ₂ O*	10 inH ₂ O	1 inH ₂ O	0 psi to 5000 psi	1000 psi	50 psi	
0 inH ₂ O to 100 inH ₂ O*	20 inH ₂ O	2 inH ₂ O	0 psi to 6000 psi	1000 psi	40 psi	
0 inH ₂ O to 180 inH ₂ O*	40 inH ₂ O	4 inH ₂ O	0 psi to 10000 psi	1000 psi	100 psi	
0 inH ₂ O to 200 inH ₂ O*	40 inH ₂ O	4 inH ₂ O	0 psi to 15000 psi	3000 psi	100 psi	
0 inH ₂ O to 300 inH ₂ O*	50 inH ₂ O	5 inH ₂ O	0 psi to 20000 psi	1000 psi	50 psi	
0 psi to 5 psi*	1 psi	0.1 psi	0 psi to 30000 psi	1000 psi	40 psi	
0 psi to 10 psi*	2 psi	0.2 psi	0 psi to 40000 psi	1000 psi	100 psi	
0 psi to 15 psi	3 psi	0.1 psi	0 psi to 60000 psi	3000 psi	100 psi	

* Only available in 740 Series

PANEL MOUNT RING FOR FLUSH PANEL MOUNTING

A Black Panel Mount Ring (PMR) is easily installed in the field to facilitate flush mounting of all 4½ inch 600 and 700 Series gauges. Our unique turret case with our mounting pads on the rear of the case make front of panel or wall mounting a "built in option" on all 4½ inch 600 and 700 Series gauges.

OPTIONAL LENSES

Both Instrument Glass and Laminated Safety Glass are available on all 4½ inch 600 and 700 Series gauges.

LIQUID FILLING OPTIONS

All 4½ inch 600 and 700 Series gauges are available in a liquid filled version. Our standard fill is glycerine and water, however, optional fill liquids include ¹Dow Corning 200 Silicone and ²Halocarbon. A Liquid Filling Kit (LFK) is also available to convert dry gauges in the field. Each Liquid Filling Kit (LFK) includes a vented blow-out back with breathing diaphragm (for internal case pressure compensation) and O-ring. Fill liquid is not included.

REID VAPOR TEST GAUGES

A Reid Vapor Test Gauge configuration which includes a handle, special dial and special pressure part is available in pressure ranges of 0-5 PSI, 0-15 PSI and 0-30 PSI.

RECEIVER GAUGES

3-15 PSI Receiver Gauges are available in both 600 Series (Brass) and 700 Series (316SS) configurations.

METRIC AND HANDMADE SPECIAL DIALS

Dual scale Metric Dials in PSI/kPa and PSI/Kg-cm² are available on all 600 and 700 Series gauges.

Handmade Special Dials such as non-standard metric scales, tons on ram, lbs. of force, etc. are available in small quantities (as few as one piece) on all 600 and 700 Series gauges.



45.740 PMR



45.740 PSI/kPa

ORIFICES

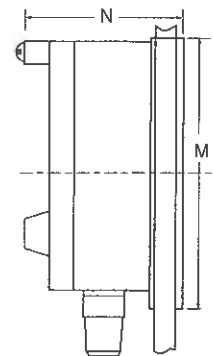
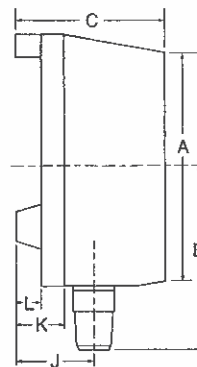
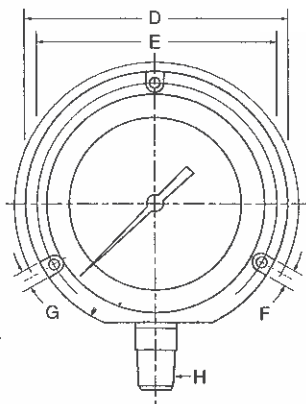
Threaded Orifices (.032" I.D.) are available on all 600 and 700 Series gauges. Orifices are used on a gauge to restrict the flow of rapidly increasing and decreasing pressures, thereby lessening the immediate effect of pulsations and pressure spikes. Orifices are recommended on all dynamic applications.

CERTIFIED CALIBRATION

Certified Calibration is available on all 600 and 700 Series gauges. Certified Calibration provides the user with a serial numbered gauge along with a calibration sheet against a pressure standard and is traceable to the National Institute of Standards and Technology (formerly National Bureau of Standards).

¹ Dow Corning—A registered trademark of Dow Corning Corporation

² Halocarbon—A registered trademark of Halocarbon Products Company.



STYLE		B		C	D	E	F	G	H	J	K	L	M	N	
		1/4" NPT	1/2" NPT												
45.640	MM	129	97	102.5	86	148	137	6	11	—	43	27	14	152.4	88
45.660															
45.740	IN	5.0	3.81	4.06	3.38	5.83	5.39	.23	.43	1/4" or 1/2"	1.69	1.06	.55	6.00	3.46
45.760															