

### S E R I E S

#### GENERAL INFORMATION

NOSHOK 900 Series Liquid Filled Gauges are extremely high quality liquid filled pressure gauges which incorporate unique design features geared towards extended service life and reliability.

These gauges feature a light weight, shatter resistant ABS or a 304 stainless steel case. This is made possible with the modular measuring systems which interchange with either case (in the 2½ inch sizes). The lenses are molded plexiglass for strength and are sealed by ultrasonic welding in the ABS case and a rolled 304SS bezel and O-ring in the stainless steel cased models. The unique O-ring case and connection seals guard against leakage and help protect against physical shock and vibration.

The heavy wall bourdon tubes are made in the "C" configuration on ranges of 600 PSI and lower and are "coiled" or "spiral" safety tubes above 600 PSI.

These bourdon tubes are then matched with precision

movements and balanced pointers for accuracy over an extended service life.

The glycerine we use for dampening the effects of pulsation, vibration and shock loads as well as lubrication of the movement is a very high grade of synthetic glycerine so it retains its crystal clear clarity and lubricity over the life of the gauge.

Our dials are printed in bold UV resistant ink for ease of readability even after years of exposure to direct sunlight.

Positive case relief is accomplished by means of a relief disc on top of the case (on 2½ inch gauges) or on the back of the case (on 1½ inch gauges) and away from the operator to insure the operators safety if ever needed.

NOSHOK 900 Series Liquid Filled Gauges are used on industrial applications throughout the world where pulsation, vibration and shock is present and the pressure media is not corrosive to brass.

#### OPERATING SPECIFICATIONS

##### 1. Working Pressure Limitations

###### a. Dynamic Pressure

The working pressure should be limited to 60% of the dial range.

###### b. Static Pressure

The working pressure, where no sharp fluctuations occur, should be limited to 90% of the dial range.

##### 2. Ambient Temperature

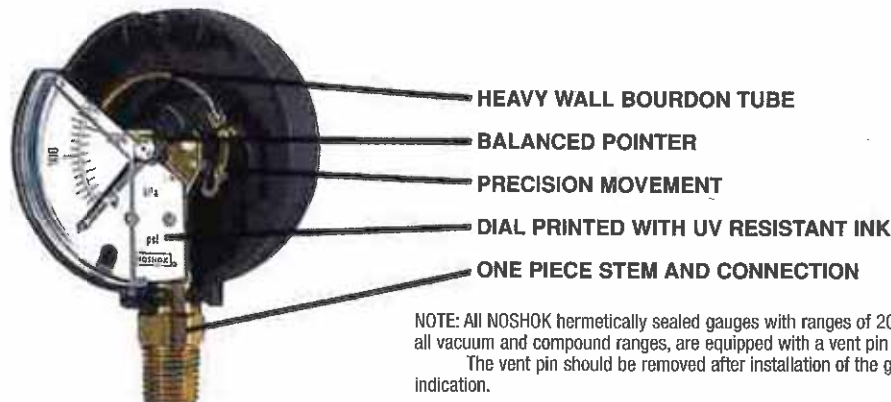
0°F to 140°F (-18°C to 60°C)

Lower operating temperatures are available to -40°F (-40°C) by using a special glycerine and water mixture or low temperature silicone. Please contact us for assistance in selecting the best fill liquid for your application.

#### ORDERING INFORMATION

25.910 • 1000 PSI/kPa • ¼" NPT • PMC (Panel Mount Clamp)

1. Select size and model number.....: | | | | |
2. Select pressure range.....: | | | | |
3. Select NPT connection size (if more than one is offered).....: | | | | |
4. Select any required accessory or option.....: | | | | |



NOTE: All NOSHOK hermetically sealed gauges with ranges of 200 PSI and below, including all vacuum and compound ranges, are equipped with a vent pin in the relief disc.

The vent pin should be removed after installation of the gauge to insure accurate indication.

# ABS CASED LIQUID FILLED PRESSURE GAUGES

# 900

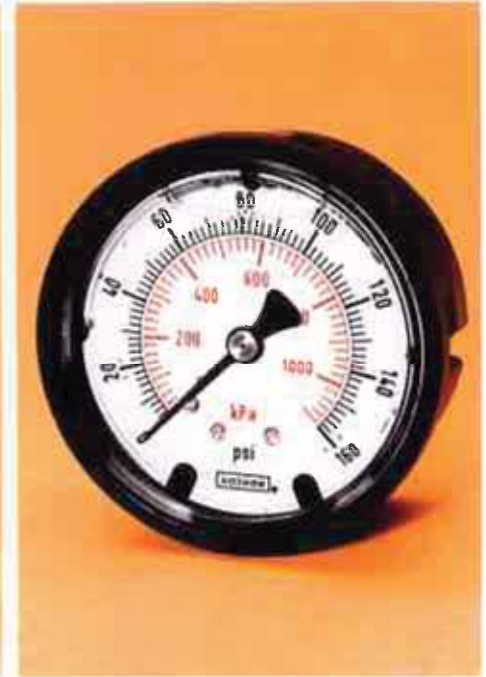
# S E R I E S



**15.910**  
 1½ INCH  
 ABS CASE  
 GLYCERINE FILLED  
 ¼" NPT  
 CENTER BACK CONNECTION



**25.900**  
 2½ INCH  
 ABS CASE  
 GLYCERINE FILLED  
 ¼" NPT  
 BOTTOM CONNECTION



**25.910**  
 2½ INCH  
 ABS CASE  
 GLYCERINE FILLED  
 ¼" NPT  
 CENTER BACK CONNECTION

SPECIFICATIONS	
Case	ABS, Acryl Nitril Butadien Styrol
Lens	Plexiglass; Ultrasonically Welded to the Case
Bourdon Tube	Phosphor Bronze. "C" Tube for Pressures up to 600 PSI Coiled Safety Tube Above 600 PSI
Connection	1/4" NPT Brass. 15.910-1/8" NPT
Safety Protection	25.900/910: Safety Relief Disc on Top of Case. 15.910: Safety Relief Disc on the back of the Case.
Movement	Brass and Nylon with Highly Polished Bearing Surfaces.
Accuracy	25.900/910: ± 1.5% Full Scale ASME Grade A. 15.910: ± 2.5% Full Scale, ASME Grade B.
Pointer	Balanced Aluminum, Black Finished. 15.910-Molded Plastic
Dial	25.900/910: Aluminum, White Background, Dual Scale PSI-kPa. Black PSI Scale, and Red kPa Scale. UV Resistant. 15.910: Molded Plastic, White Background with Black PSI Scale and Red kPa Scale. UV Resistant.
Fill Liquid	Glycerine and Water.

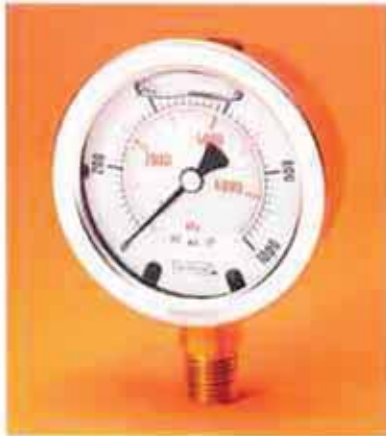
STANDARD DIAL CONFIGURATIONS						
Dial Range psi/kPa	Figure Interval psi/kPa	Graduation Intervals psi/kPa	Dial Range psi/kPa	Figure Interval psi/kPa	Graduation Intervals psi/kPa	Graduation Intervals psi/kPa
-30 inHg to 15 psi/kPa	10 inHg-50 kPa 5 psi/50 kPa	1 inHg-5 kPa 0.5 psi/5 kPa	0 psi/kPa to 200 psi/kPa	40 psi-400 kPa	4 psi-40 kPa	
-30 inHg to 30 psi/kPa	30 inHg-100 kPa 10 psi/100 kPa	inHg-10 kPa 1 psi/10 kPa	0 psi/kPa to 300 psi/kPa	50 psi-500 kPa	5 psi-50 kPa	
-30 inHg to 60 psi/kPa	30 inHg-100 kPa 20 psi/200 kPa	5 inHg-20 kPa 2 psi/20 kPa	0 psi/kPa to 400 psi/kPa	100 psi-1000 kPa	10 psi-100 kPa	
-30 inHg to 100 psi/kPa	30 inHg-100 kPa 20 psi/200 kPa	10 inHg-50 kPa 5 psi/50 kPa	0 psi/kPa to 600 psi/kPa	100 psi-1000 kPa	10 psi-100 kPa	
-30 inHg to 160 psi/kPa	30 inHg-100 kPa 40 psi/400 kPa	10 inHg-50 kPa 4 psi/40 kPa	0 psi/kPa to 1000 psi/kPa	200 psi-2000 kPa	20 psi-200 kPa	
-30 inHg to 200 psi/kPa	30 inHg-100 kPa 40 psi/400 kPa	10 inHg-50kPa 4 psi/40 kPa	0 psi/kPa to 1500 psi/kPa	300 psi-3000 kPa	50 psi-500 kPa	
-30 inHg to 300 psi/kPa	30 inHg-100 kPa 100 psi/1000 kPa	30 inHg-100 kPa 10 psi/100 kPa	0 psi/kPa to 2000 psi/kPa	400 psi-4000 kPa	40 psi-400 kPa	
-30 inHg to 0 psi/kPa	5 inHg-20 kPa	0.5 inHg-5 kPa	0 psi/kPa to 3000 psi/kPa	500 psi-5000 kPa	50 psi-500 kPa	
0 psi/kPa to 15 psi/kPa	3 psi-30 kPa	0.5 psi-5 kPa	0 psi/kPa to 5000 psi/kPa	1000 psi-10000 kPa	100 psi-1000 kPa	
0 psi/kPa to 30 psi/kPa	5 psi-50 kPa	0.5 inHg-5 kPa	0 psi/kPa to 6000 psi/kPa	1000 psi-10000 kPa	100 psi-1000 kPa	
0 psi/kPa to 60 psi/kPa	10 psi-100 kPa	1 psi-10 kPa	0 psi/kPa to 7500 psi/kPa	1500 psi-10000 kPa	100 psi-1000 kPa	
0 psi/kPa to 100 psi/kPa	20 psi-200 kPa	2 psi-20 kPa	0 psi/kPa to 10000 psi/kPa	2000 psi-20000 kPa	200 psi-2000 kPa	
0 psi/kPa to 160 psi/kPa	40 psi-400 kPa	4 psi-40 kPa				

Consult factory for availability of specific models, ranges and options.  
 NOTE: Refer to page 5 for 15.910 dial configurations.

# 900

## 2 1/2 INCH STAINLESS STEEL CASED LIQUID FILLED PRESSURE GAUGES

### S E R I E S



**25.901**  
2 1/2 INCH  
STAINLESS STEEL CASE  
GLYCERINE FILLED  
1/4" NPT  
BOTTOM  
CONNECTION



**40.901**  
4 INCH  
STAINLESS STEEL CASE  
GLYCERINE FILLED  
1/4" OR 1/2" NPT  
BOTTOM  
CONNECTION



**25.911**  
2 1/2 INCH  
STAINLESS STEEL CASE  
GLYCERINE FILLED  
1/4" NPT  
CENTER BACK  
CONNECTION



**40.911**  
4 INCH  
STAINLESS STEEL CASE  
GLYCERINE FILLED  
1/4" NPT  
LOWER BACK  
CONNECTION

#### SPECIFICATIONS

Case	304 Stainless Steel
Bezel	304 Stainless Steel
Lens	2.5" Polycarbonate 4" Instrument Glass
Bourdon Tube	Phosphor Bronze. "C" Tube for Pressures up to 600 PSI Coiled Safety Tube Above 600 PSI
Connection	1/4" NPT Brass
Safety Protection	Safety Relief Disc on Top of Case.
Movement	Brass and Nylon with Highly Polished Bearing Surfaces.
Accuracy	25.901/911: ± 1.5% Full Scale ASME Grade A. 40.901/911: ± 1.0% Full Scale, ASME Grade 1A.
Pointer	Balanced Aluminum, Black Finished.
Dial	Aluminum, White Background, Dual Scale PSI-kPa. Black PSI Scale, and Red kPa Scale. UV Resistant.

#### STANDARD DIAL CONFIGURATIONS

Dial Range psi/kPa	Figure Interval psi/kPa	Graduation Intervals psi/kPa	Dial Range psi/kPa	Figure Interval psi/kPa	Graduation Intervals psi/kPa
-30 inHg to 15 psi/kPa	10 inHg-50 kPa 5 psi/50 kPa	1 inHg-5 kPa 0.5 psi/5 kPa	0 psi/kPa to 200 psi/kPa	40 psi-400 kPa	4 psi-40 kPa
-30 inHg to 30 psi/kPa	30 inHg-100 kPa 10 psi/100 kPa	inHg-10 kPa 1 psi/10 kPa	0 psi/kPa to 300 psi/kPa	50 psi-500 kPa	5 psi-50 kPa
-30 inHg to 60 psi/kPa	30 inHg-100 kPa 20 psi/200 kPa	5 inHg-20 kPa 2 psi/20 kPa	0 psi/kPa to 400 psi/kPa	100 psi-1000 kPa	10 psi-100 kPa
-30 inHg to 100 psi/kPa	30 inHg-100 kPa 20 psi/200 kPa	10 inHg-50 kPa 5 psi/50 kPa	0 psi/kPa to 600 psi/kPa	100 psi-1000 kPa	10 psi-100 kPa
-30 inHg to 160 psi/kPa	30 inHg-100 kPa 40 psi/400 kPa	10 inHg-50 kPa 4 psi/40 kPa	0 psi/kPa to 1000 psi/kPa	200 psi-2000 kPa	20 psi-200 kPa
-30 inHg to 200 psi/kPa	30 inHg-100 kPa 40 psi/400 kPa	10 inHg-50kPa 4 psi/40 kPa	0 psi/kPa to 1500 psi/kPa	300 psi-3000 kPa	50 psi-500 kPa
-30 inHg to 300 psi/kPa	30 inHg-100 kPa 100 psi/1000 kPa	30 inHg-100 kPa 10 psi/100 kPa	0 psi/kPa to 2000 psi/kPa	400 psi-4000 kPa	40 psi-400 kPa
-30 inHg to 0 psi/kPa	5 inHg-20 kPa	0.5 inHg-5 kPa	0 psi/kPa to 3000 psi/kPa	500 psi-5000 kPa	50 psi-500 kPa
0 psi/kPa to 15 psi/kPa	3 psi-30 kPa	0.5 psi-5 kPa	0 psi/kPa to 5000 psi/kPa	1000 psi-10000 kPa	100 psi-1000 kPa
0 psi/kPa to 30 psi/kPa	5 psi-50 kPa	0.5 inHg-5 kPa	0 psi/kPa to 6000 psi/kPa	1000 psi-10000 kPa	100 psi-1000 kPa
0 psi/kPa to 60 psi/kPa	10 psi-100 kPa	1 psi-10 kPa	0 psi/kPa to 7500 psi/kPa	1500 psi-10000 kPa	100 psi-1000 kPa
0 psi/kPa to 100 psi/kPa	20 psi-200 kPa	2 psi-20 kPa	0 psi/kPa to 10000 psi/kPa	2000 psi-20000 kPa	200 psi-2000 kPa
0 psi/kPa to 160 psi/kPa	40 psi-400 kPa	4 psi-40 kPa			

Consult factory for availability of specific models, ranges and options.

**COVER RINGS**

Protective friction fit Cover Rings are available in black painted steel (BCR) or chrome plated steel (CCR) on models 25.900. A rolled on 304 stainless steel cover ring (SSCR) is available for model 25.910. 304 stainless steel cover rings (or bezels) are standard on models 25.901 and 25.911.

**FLANGES FOR PANEL MOUNTING**

Panel Mount Clamps (PMC) of chromated steel are available for flush mounting on models 25.910 and 25.911. The PMC is easily (field) installed on the gauge diameter into the pre-formed grooves in the case and utilizes the existing gauge bezel or lip as a narrow flange on the front of the panel. A chrome plated steel or polished 304 stainless steel Flange Ring (CFR or SSFR) is also available for use in conjunction with the Panel Mount Clamp (PMC). The Flange ring has a diameter approximately 20% larger than the existing gauge bezel or lip and is used when it is necessary to adapt the gauge to an over-sized panel cut out.

Stainless Steel Front Flanges (SSFF) are available for flush panel mounting on model 25.911.

Black painted steel or chrome plated steel Front Flanges (BFF or CFF) are available for flush panel mounting on model 25.900. They are also available on model 25.910 as a special production option. Please contact us for pricing, minimum quantities and lead times.

**ORIFICES**

Press fit brass Orifices (.012" I.D.) are available on all 900 Series gauges. Orifices are used on a gauge to restrict the flow of rapidly increasing and decreasing pressures, thereby lessening the immediate effect of pulsations and pressure spikes. Orifices are recommended on all dynamic applications.

**SPECIAL CONNECTIONS**

Special Connections are available on all 900 Series gauges. Some examples include: metric threads, female threads, straight threads (flare or swivel type), high pressure connections and special o-ring connections. Please contact us with your requirements for prices, delivery and minimum quantities.

**RUBBER CASE PROTECTORS**

Rubber Case Protectors (RCP) are ideal for gauges that are subjected to direct physical shock. They are available on model 25.900 as a stock option and as a special production option on model 25.910. Please contact us for minimum quantities and lead times. RCP's are molded in blue.

**CERTIFIED CALIBRATION**

Certified Calibration is available on all 900 Series gauges. Certified Calibration provides the user with a serial numbered gauge along with a calibration sheet against a pressure standard and is traceable to the National Institute of Standards and Technology (formerly National Bureau of Standards).

**ADDITIONAL PRODUCTION OPTIONS**

- Maximum Indicating Pointers
- A 2 inch bottom or back connected model



25.900 BCR



25.910 SSCR PMC

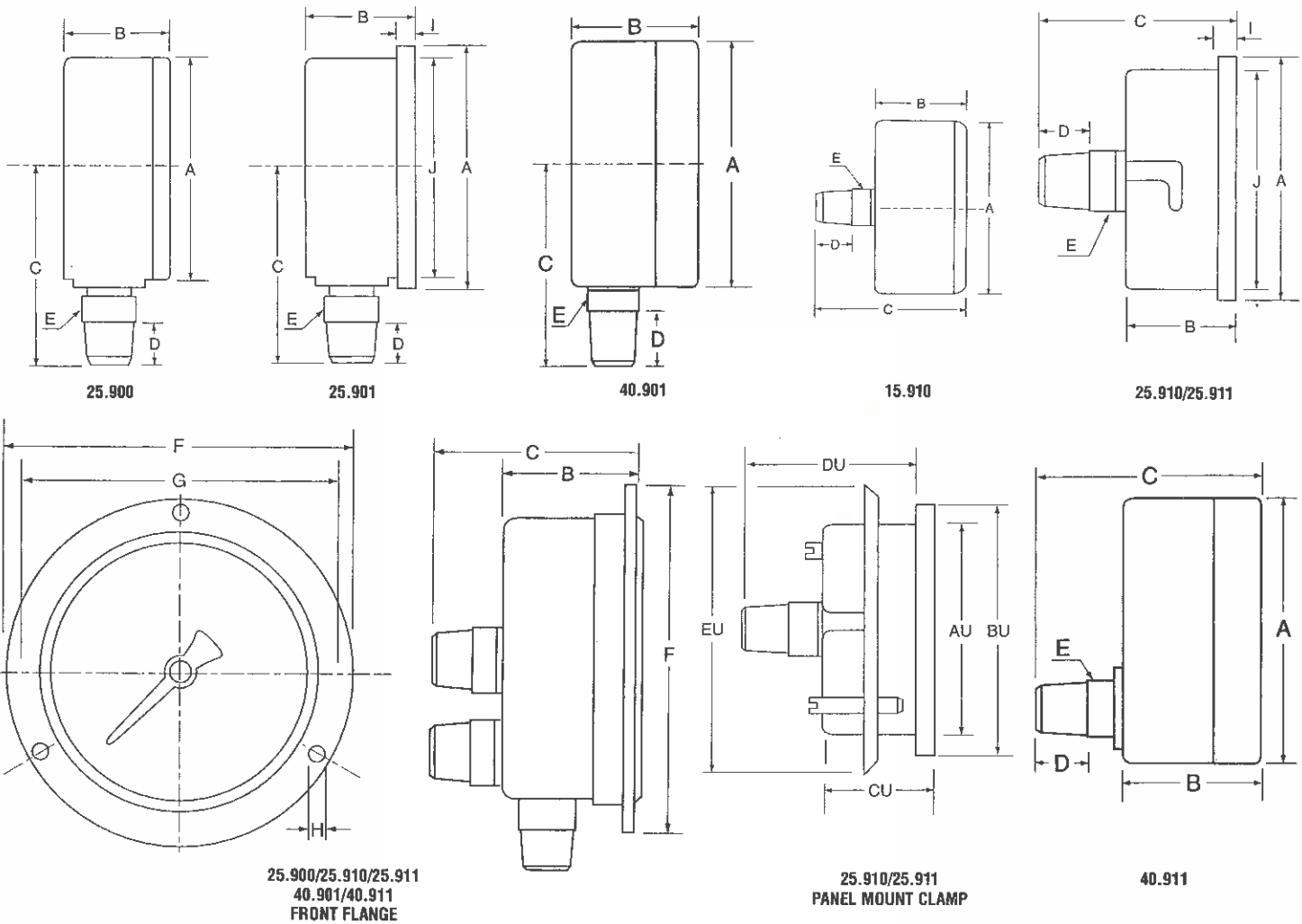


25.911 LIQUID FILLED  
W/SS FRONT FLANGE



25.900 RCP

Consult factory for availability and minimum orders (if applicable) for all options & accessories.



\*A Flange Ring is available as a stock option for use with 25.910 and 25.911 with Panel Mount Clamp (PMC). The Flange Ring has the same outside diameter as the front flange but does not have mounting holes.

MODEL		A	B	C	D	E	F	G	H	I	J
15.910	IN	1.61	1.06	1.69	0.39	0.47	—	—	—	—	1.54
	MM	41	27	43	10	12	—	—	—	—	39
25.900	IN	2.44	1.18	2.24	0.55	0.55	3.35	2.95	0.14	—	—
	MM	62	30	57	14	14	85	75	3.6	—	—
25.910 25.911	IN	2.72	1.26	2.24	0.55	0.55	3.35	2.95	0.14	0.20	2.44
	MM	69	32	57	14	14	85	75	3.6	5	62
25.901	IN	2.72	1.26	2.24	0.55	0.55	—	—	—	0.20	2.44
	MM	69	32	57	14	14	—	—	—	5	62
40.901	IN	3.98	2.01	3.43	0.55	0.87	5.20	4.57	0.19	—	—
	MM	101	51	87	14	22	132	116	4.8	—	—
40.911	IN	3.98	2.01	3.35	0.55	0.87	5.20	4.57	0.19	—	—
	MM	101	51	85	14	22	132	116	4.8	—	—

#### GAUGES WITH PANEL MOUNT CLAMP

MODEL		AU	BU	CU	DU	EU
25.910 25.911	IN	2.44	2.72	1.06	2.05	2.95
	MM	62	69	27	52	75