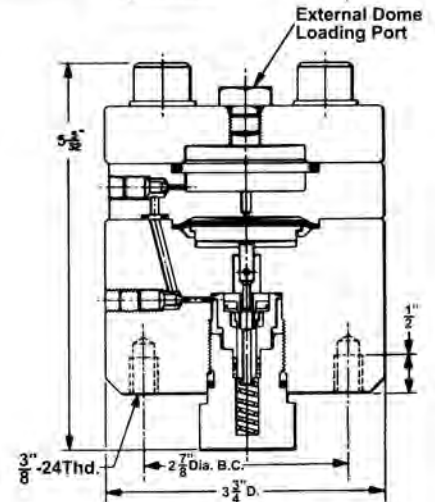
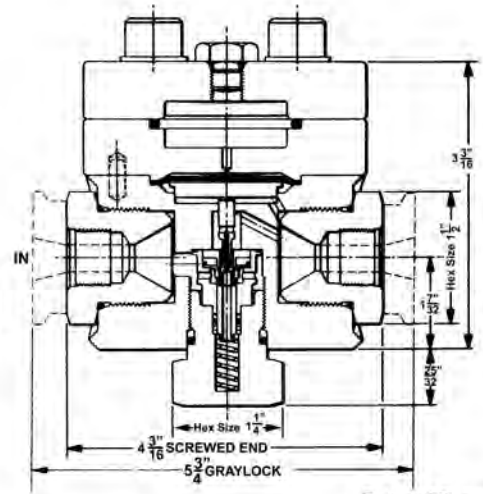
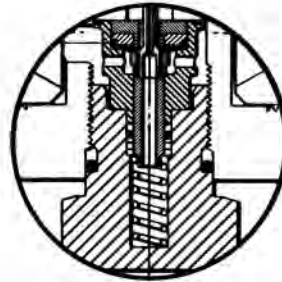


**Model 112B**

**Basic Figure No. 11220 (Aluminum Alloy)  
Basic Figure No. 11221 (Stainless Steel)**

**General Specifications**

Inlet Pressure Maximum: 6000 psi  
 Outlet Pressure Maximum: 6000 psi  
 Internally Dome Loaded thru Integral Needle Valves  
 Ext. Dome Loading Conn. -1/4" MS-16142  
 Internal Sensing  
 End Connections: FNPT, MS-33649-8, Grayloc  
 Weight: 6 lbs. (Aluminum); 15 lbs. (Stainless)



**Material Specifications**

Description	Fig. 11220	Fig. 11221
Body	Aluminum Alloy	T-304 CReS
Dome	Aluminum Alloy	T-304 CReS
End. Conn Busing	T-304 CReS	T-304 CReS
Seat	Teflon	Teflon
Trim	18/8 & 17/4PH CReS	18/8 & 17/4PH CReS
Plastics	See Code Table Below	See Code Table Below

**Ordering Information**

Order by Model Number and Complete Coded Figure Number.  
 See Example Below.

Basic Fig. No.	End Connections		Orifice			Plastic Parts & Cleaning			
	Size	Code	Size	C <sup>1</sup>	Code	Rubber Parts	Operating Temp Range	Super (1) Cleaned	Code
11221	1/2" FNPT	P04	3/16" Bal Value	0.5	9	Nitrile	-65°F to +165°F	No	A*
	1/2" MS-33649-8	L04				EDPM	-65°F to +165°F	No	H
	1/2" & 3/4" GR4 Grayloc	H044				Viton A	0°F to +165°F	No	P

11221	H044	9	A
-------	------	---	---

Figure 11221H044 9A describes a stainless Model 112B with 1/2" GR4 end connections, Nitrile diaphragm & "O" Rings not supercleaned.

<sup>1</sup> The "C" valve is maximum (wide open). For flow rate determination refer to capacity chart in Powreactor Bulletin.

\* Most applications can be satisfied by specifying Code A materials.