



Small Volume High Pressure Regulator for Back Pressure Service

Model 153, 155

Back Pressure Control Ranges
2-25, 3-60, 5-150, 8-300, 10-750, 10-1000 psi

General Specifications

Operating Temperature Range -65°F to 165°F
 End Connections 1/4" FNPT
 (other sizes & types available on special order)
 Handwheel Turns to Full Pressure 16 Turns Approx.
 Weight 5 lbs

Material Specifications

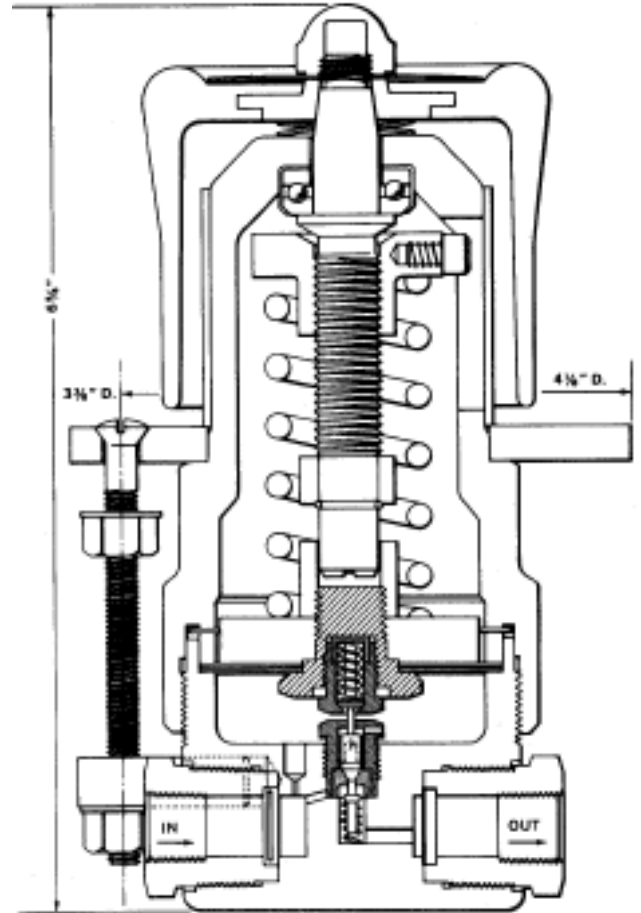
All Metal Parts in flow stream 18/8 Stainless Steel
 Standard Diaphragm Material Mylar
 Standard Valve Material (155) Nylon
 (153) 18/8

Flow Capacity See Capacity Chart 125-K-6

Model Number	Basic Fig. Number	Max CV Pressure
153	11409	0.17
155	11410	0.04

Ordering Information

Select Basic Figure Number from Above table and complete the Figure Number by coding the desired output pressure range and end connections as in example below.



For mounting dimensions, see sheet W-15L-B01

Basic Fig. No.	Control Range (Inlet Pressure)	Code	End Connection	Code	Super Cleaned	Code
11410	2-25 psi	A	1/4" FNPT	P2	No	A
	3-60 psi	B				
	5-150 psi	C				
	8-300 psi	E				
	10-750 psi	F				
	10-1000 psi	H				

11410	H	P2	A
-------	---	----	---

Figure 10410HP2A is the unique description of a model 155 back pressure regulator, 0-1000 psi control range with 1/4" FNPT end connections not supercleaned.



Dresser Pressure Regulation Group

2822 S. 1030 W.
Salt Lake City, Utah 84115

Dresser, Inc.

Phone: 801.487.2225 Fax: 801.487.2587
www.redqregulators.com